

## AXOR Universal Softsquare Shelf 6"

Finishes : Part no. : **42840820**



### Features

- Wall-mounted
- Adaptor set #42870XXX must be used when installing on a rail
- Mounting possible with toilet paper roll holder #42836XXX (adaptor #42870XXX necessary)
- Material frame: solid Brass
- Material shelf: Safety glass
- With mounting material
- Concealed fastening
- Diameter of drilled hole: 6 mm
- Suitable for installation inside shower compartment

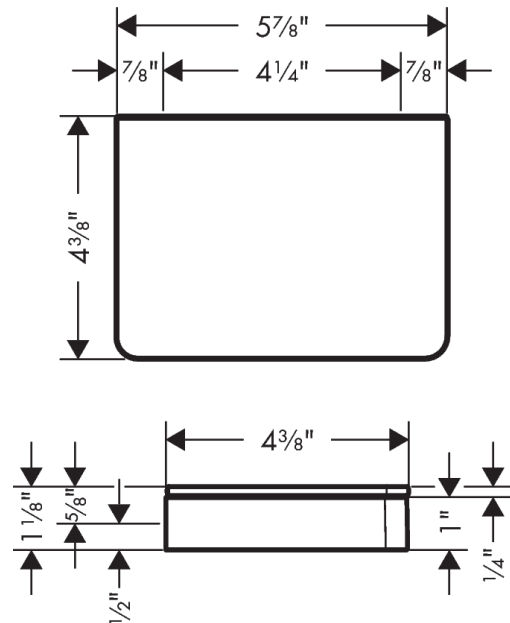
### Item details

List Price \$ 378.00

### Product image



### Scale drawing



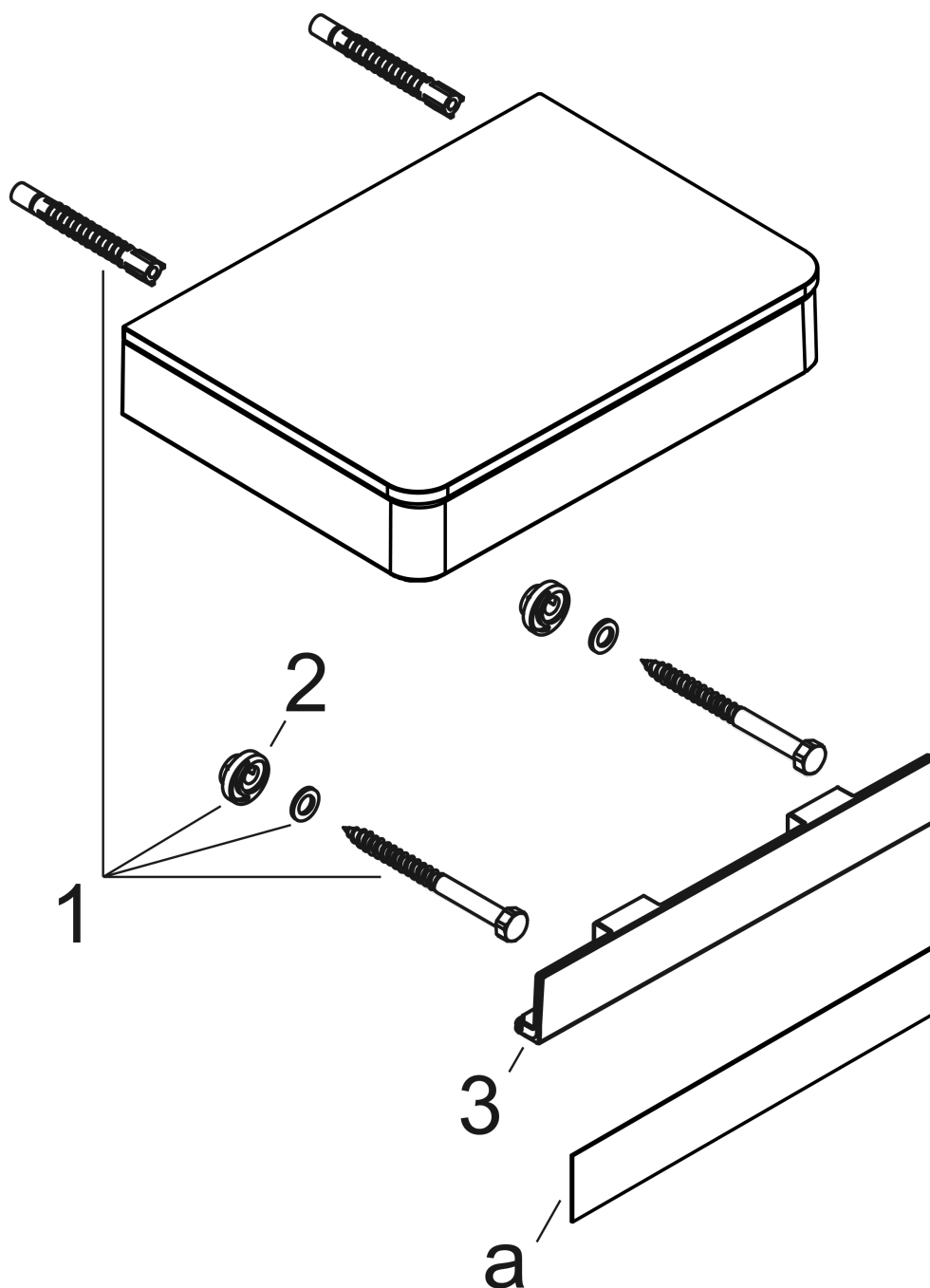
**AXOR Universal Softsquare  
Shelf 6"**

Finishes : Part no. : 42840820



**Exploded drawing**

Year of production: >06/17



**AXOR Universal Softsquare  
Shelf 6"**

Finishes : Part no. : **42840820**



**Spare parts list**

Year of production: >06/17

Pos.		Part no.	Price	PU
1	mounting set	92841000	-	1
2	excentric socket	97604000	-	1
3	cover	92427820	-	1
a	cover	42890820	-	1